

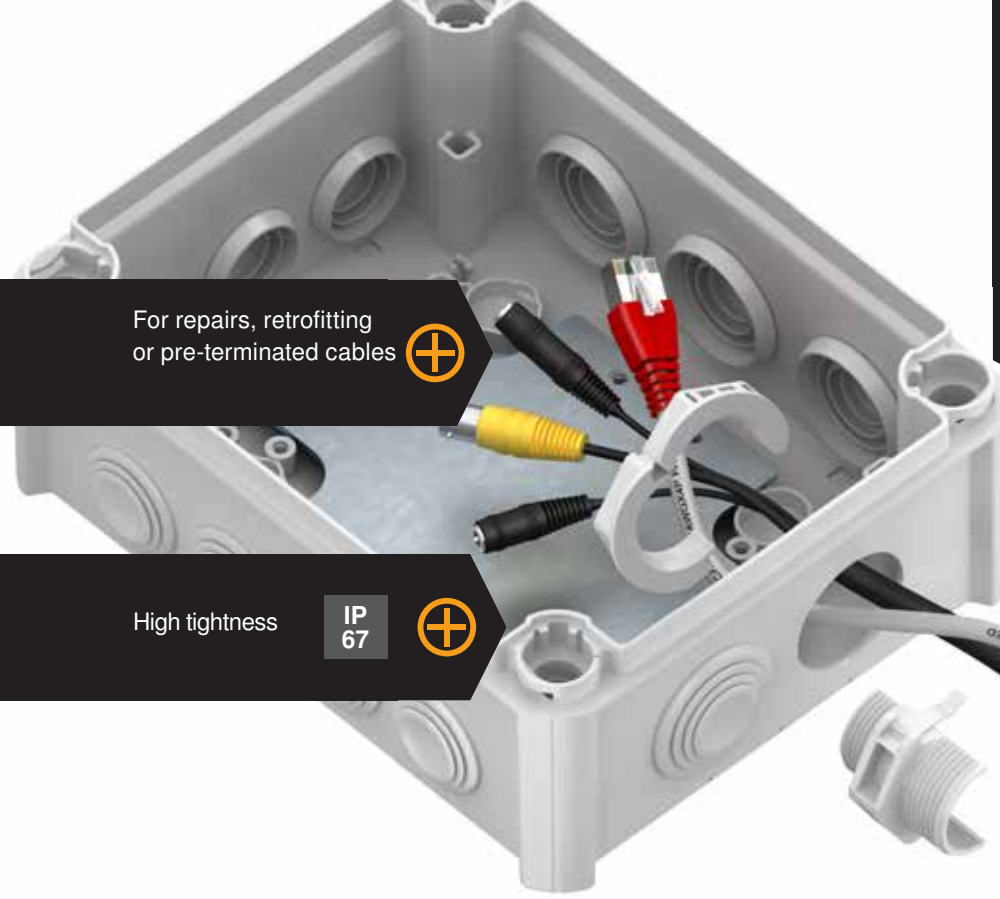



M20
M25
M32

Separable cable glands

For pre-terminated cables and easy maintenance





For repairs, retrofitting or pre-terminated cables 

High tightness **IP 67** 

Spreading pliers for the best opening of the sealing inserts – making the laying of each cable easy and quick.



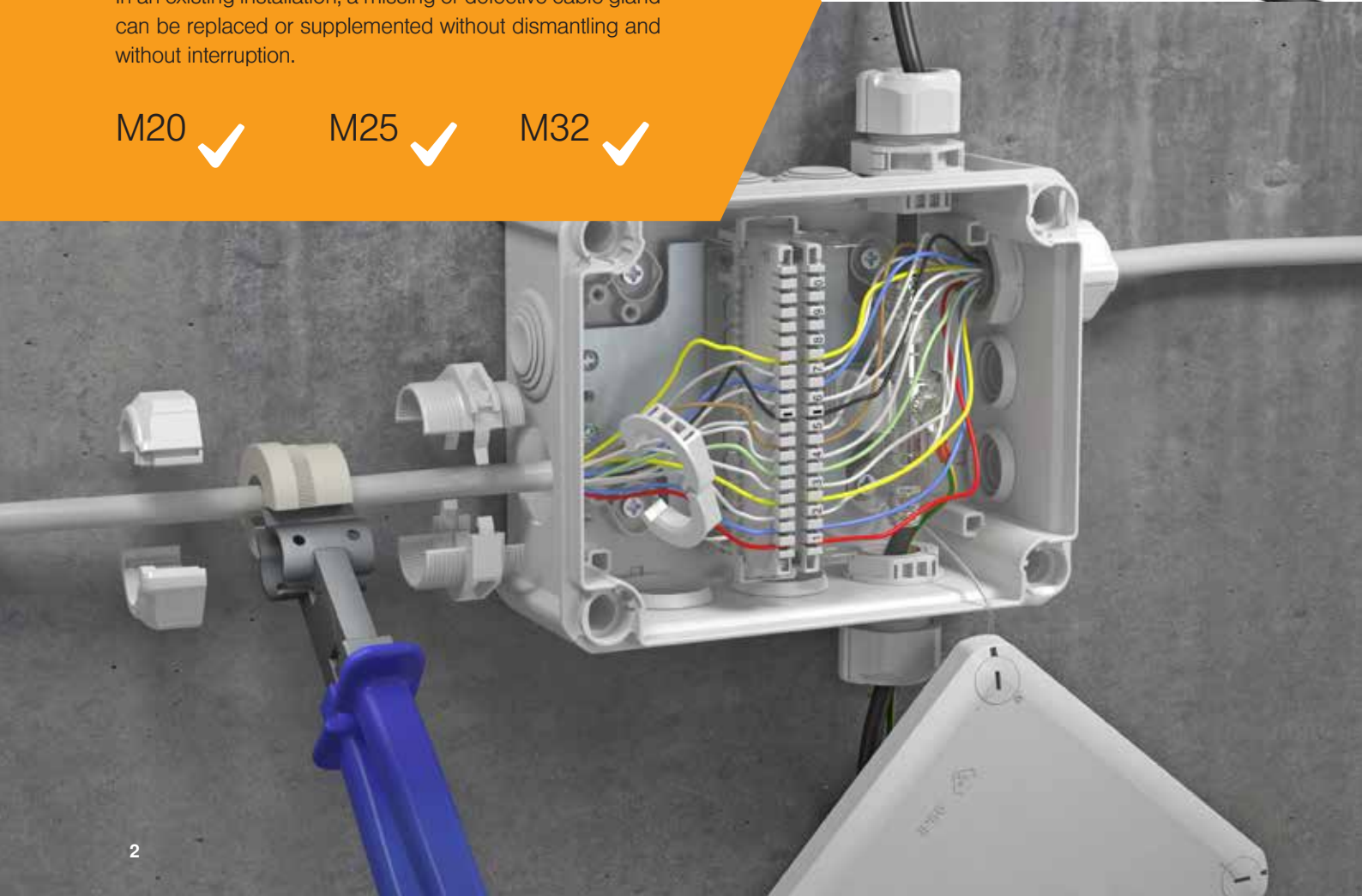
Separable cable glands

The separable cable gland allows easy and quick installation, for example, of pre-terminated cables with connectors. In an existing installation, a missing or defective cable gland can be replaced or supplemented without dismantling and without interruption.

M20 

M25 

M32 



The separable V-TEC TB.. cable gland ensures, as do all V-TEC glands, the secure sealing of the cable. The installation, for example, of pre-terminated cables or function cables is easy and quick thanks to the cable gland being separable. The V-TEC TB gland is also unbeatable when it comes to retrofitting an existing installation or using it for repairs. Without dismantling pre-mounted cables and without interruption they can be installed whilst production continues to run.

Separable cable gland sealing, insert closed

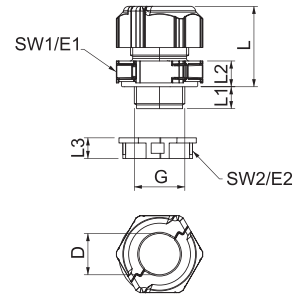


Type	Thread	Colour	Shipping box pcs.	Pack. pcs.	Weight kg/100 pcs.	Item No.
V-TEC TB20	M20x1.5	Light grey	50	5	2.236	2024940
V-TEC TB25	M25x1.5	Light grey	50	5	3.440	2024910
V-TEC TB32	M32x1.5	Light grey	60	5	7.756	2024970

PC Polycarbonate €/pc.



Type	SW1 mm	Dim. E1 mm	SW2 mm	Dim. E2 mm	Dim. L mm	Dim. L1 mm	Dim. L2 mm	Tightening torque intermediate support Nm	Tightening torque pressure screw Nm
V-TEC TB20	30	33.5	27	29	24.5–30.5	10	8.5	4	2
V-TEC TB25	35	39	32	34.5	31.5–40	11	10	6	4
V-TEC TB32	46	51.5	40	43	32–41	14	10	10	8



Separable cable gland, sealing insert, 1 cable

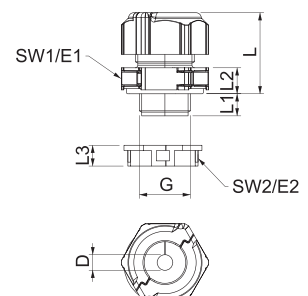


Type	Thread	Colour	Sealing range D mm	Shipping box pcs.	Pack. pcs.	Weight kg/100 pcs.	Item No.
V-TEC TB20 06-08	M20x1.5	Light grey	6–8	50	5	2.133	2024942
V-TEC TB20 08-10	M20x1.5	Light grey	8–10.5	50	5	2.063	2024944
V-TEC TB20 09-13	M20x1.5	Light grey	9–13	50	5	1.973	2024946
V-TEC TB20 11-14	M20x1.5	Light grey	11–14	50	5	1.853	2024948
V-TEC TB25 06-09	M25x1.5	Light grey	6–8	50	5	2.900	2024912
V-TEC TB25 09-11	M25x1.5	Light grey	9–11	50	5	2.900	2024913
V-TEC TB25 11-13	M25x1.5	Light grey	11–13	50	5	3.110	2024916
V-TEC TB25 12-15	M25x1.5	Light grey	12–15	50	5	2.980	2024919
V-TEC TB25 14-18	M25x1.5	Light grey	14–18	50	5	2.510	2024922
V-TEC TB25 18-20	M25x1.5	Light grey	18–20	50	5	2.290	2024925
V-TEC TB32 09-13	M32x1.5	Light grey	9–13	60	5	7.416	2024972
V-TEC TB32 11-15	M32x1.5	Light grey	11.5–15.5	60	5	7.246	2024974
V-TEC TB32 14-18	M32x1.5	Light grey	14–18	60	5	7.069	2024976
V-TEC TB32 17-20	M32x1.5	Light grey	17–20	60	5	7.156	2024978
V-TEC TB32 20-25	M32x1.5	Light grey	20–25	60	5	6.396	2024980
V-TEC TB32 24-26	M32x1.5	Light grey	24–26	60	5	6.026	2024982

PC Polycarbonate €/pc.



Type	SW1 mm	Dim. E1 mm	SW2 mm	Dim. E2 mm	Dim. L mm	Dim. L1 mm	Dim. L2 mm	Tightening torque intermediate support Nm	Tightening torque pressure screw Nm
V-TEC TB20...	30	33.5	27	29	24.5–30.5	10	8.5	4	2
V-TEC TB25...	35	39	32	34.5	31.5–40	11	10	6	4
V-TEC TB32...	46	51.5	40	43	32–41	14	10	10	8



Separable cable gland, sealing insert, multiple

IP 67

M

M20

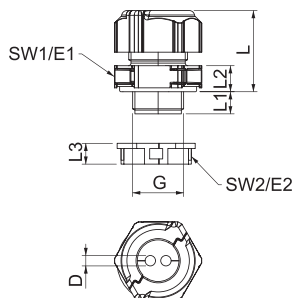
M25

M32



Type	Thread	Colour	Number of drill holes	Dim. D mm	Shipping box pcs.	Pack. pcs.	Weight kg/100 pcs.	Item No.
V-TEC TB20 2x4	M20x1.5	Light grey	2	4	50	5	2.187	2024950
V-TEC TB20 2x5	M20x1.5	Light grey	2	5	50	5	2.153	2024952
V-TEC TB20 2x6	M20x1.5	Light grey	2	6	50	5	2.113	2024954
V-TEC TB20 4x4	M20x1.5	Light grey	4	4	50	5	2.123	2024956
V-TEC TB20 6x4	M20x1.5	Light grey	6	4	50	5	2.083	2024958
V-TEC TB25 3x7	M25x1.5	Light grey	3	7	50	5	2.449	2024927
V-TEC TB25 3x9	M25x1.5	Light grey	3	9	50	5	2.640	2024928
V-TEC TB25 4x5	M25x1.5	Light grey	4	5	50	5	2.539	2024929
V-TEC TB25 4x6	M25x1.5	Light grey	4	6	50	5	2.439	2024930
V-TEC TB25 4x8	M25x1.5	Light grey	4	8	50	5	2.950	2024931
V-TEC TB32 2x11	M32x1.5	Light grey	2	11	60	5	7.196	2024984
V-TEC TB32 3x9	M32x1.5	Light grey	3	9	60	5	7.196	2024986
V-TEC TB32 3x11	M32x1.5	Light grey	3	11	60	5	7.196	2024988
V-TEC TB32 4x8	M32x1.5	Light grey	4	8	60	5	7.211	2024990
V-TEC TB32 6x6	M32x1.5	Light grey	6	6	60	5	7.284	2024992

PC Polycarbonate €/pc.



Type	SW1 mm	Dim. E1 mm	SW2 mm	Dim. E2 mm	Dim. L mm	Dim. L1 mm	Dim. L2 mm	Tightening torque intermediate support Nm	Tightening torque pressure screw Nm
V-TEC TB20...	30	33.5	27	29	24.5 - 30.5	10	8.5	4	2
V-TEC TB25...	35	39	32	34.5	31.5 - 40	11	10	6	4
V-TEC TB32...	46	51.5	40	43	32 - 41	14	10	10	8

Spreading pliers for separable cable gland sealing insert



Type	Pack. pcs.	Weight kg/100 pcs.	Item No.
V-TEC TBZ	1	26.000	2024900

€/pc.

The ideal aiding tool is the pair of spreading pliers which can be used to open the sealing insert. With this tool, inserting the individual cables is easy and quick. Place the cable into the spreading pliers, insert the spreading pliers into the sealing separation and then open them. Now the cable can easily be placed into the seal.

OBO Bettermann GmbH & Co. KG
P.O. Box 1120
58694 Menden, Germany

Customer Service Germany
Tel.: +49 23 73 89-1700
Fax: +49 23 73 89-1238
E-mail: export@obo.de

www.obo-bettermann.com

Building Connections

OBO
BETTERMANN